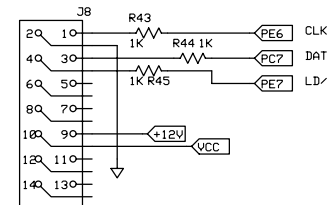
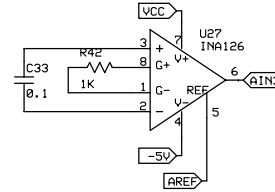
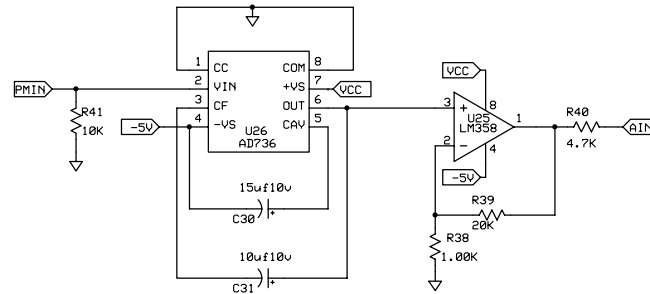
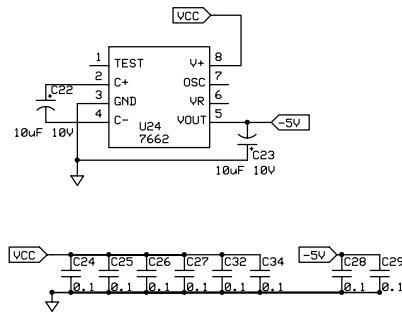


RMS-DC convert



-5V DC-DC



Erickson Engineering		
House Weather Sensors		
D. Erickson	Rev 1.0 1/9/2005	Page 1 of 2