

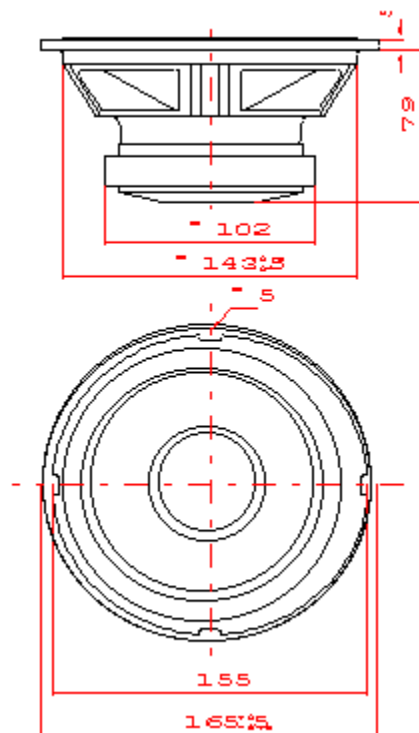
[print](#) [close](#)

Peerless Data Sheet

WR 165

165 WR 33 102 PPB 8 ohm - Order ID: 833599

The woofer has a heavy voice coil, large magnet, and low loss rubber surround. It has high power handling and is specially optimised for use in small bass reflex constructions.



WR 165**Thiele Small parameters:**

Nominal impedance
 Minimum impedance/at freq.
 Maximum impedance
 DC resistance
 Voice coil inductance
 Capacitor in series with 8 ohm
 (for impedance compensation)
 Resonance Frequency
 Mechanical Q factor
 Electrical Q factor
 Total Q factor
 F (Ratio fs/Qts)
 Mechanical resistance
 Moving mass
 Suspension compliance
 Effective cone diameter
 Effective piston area
 Equivalent volume
 Force factor
 Reference voltage sensitivity
 Re 2.83V 1m at 291 Hz (Measured)

Zn (ohm)
 Zmin (ohm/Hz)
 Zo (ohm)
 Re (ohm)
 Le (mH)
 Cc (µF)
 fs (Hz)
 Qms
 Qes
 Qts
 F (Hz)
 Rms (Kg/s)
 Mms (g)
 Cms (mm/N)
 D (cm)
 Sd (cm²)
 VAS (ltrs)
 Bl (N/A)
 (dB)

| | Free air | Common | Baffled |
|--|----------|---------|---------|
| | | 8 | |
| | | 7.0/291 | |
| | | 34.0 | |
| | | 6.3 | |
| | | 1.2 | |
| | | 11 | |
| | 36.2 | | 35.0 |
| | 1.55 | | 1.60 |
| | 0.35 | | 0.36 |
| | 0.28 | | 0.29 |
| | | | 119 |
| | 14.4 | 2.12 | 15.4 |
| | | 1.34 | |
| | | 12.9 | |
| | | 130 | |
| | | 32.2 | |
| | | 7.7 | |
| | | | 88.0 |

Magnet and voice coil parameters:

Voice coil diameter
 Voice coil length
 Voice coil layers
 Flux density in gap
 Total useful flux
 Height of the gap
 Diameter of magnet
 Height of magnet
 Weight of magnet

d (mm)
 h (mm)
 n
 B (T)
 (mWb)
 hg (mm)
 dm (mm)
 hm (mm)
 (kg)

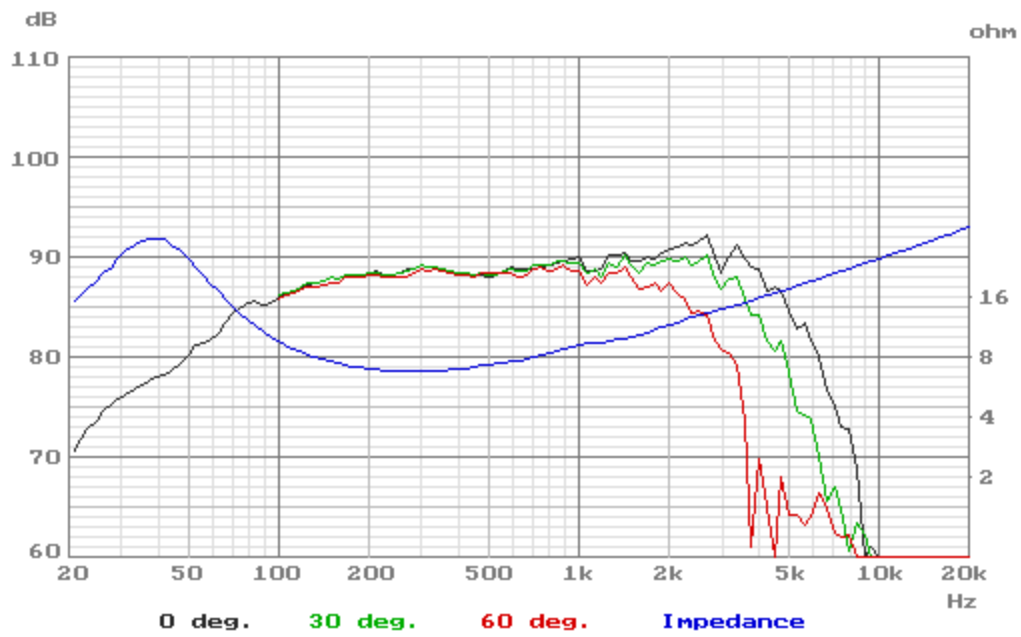
| |
|------|
| 33 |
| 14.0 |
| 2 |
| 1.13 |
| 1.03 |
| 6 |
| 102 |
| 16 |
| 0.54 |

Power handling:

Long term Max System Power (IEC)
 Max linear SPL (rms) / by power

(W)
 (dB/W)

| |
|--------|
| 150 |
| 106/90 |



Measuring methods and conditions are stated in Peerless Standard for Acoustic Measurements (PSAM)