



Vifa-Speak A/s
DK-6920 Videbæk
Denmark

Fabrikation af kvalitetshøjttalere
Production of Quality Loudspeakers

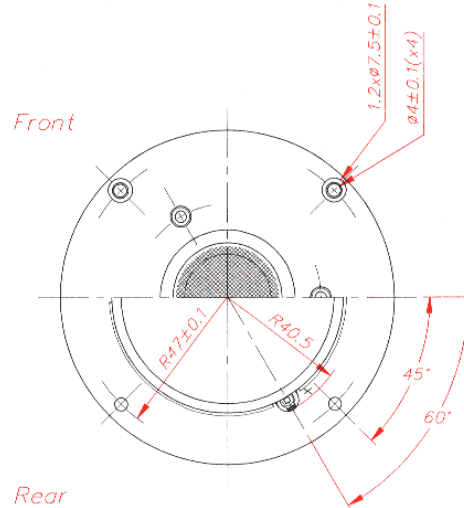
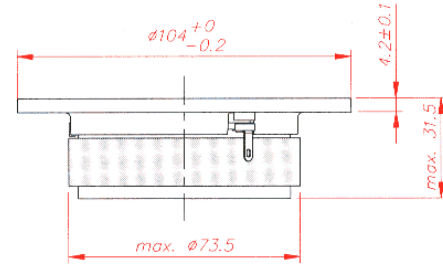
1" TWEETER

SPECIAL FEATURES:

- COATED DIAPHRAGM OF FABRIC WITH SILK
- LINEAR RESPONSE FRONT PLATE, NEUTRAL DESIGN
- LOW DAMPING FERROFLUID WITH HIGH STABILITY
- DAMPED CAVITY IN POLE PIECE
- REPLACEABLE VOICE COIL

NOMINAL IMPEDANCE	6 Ω
VOICE COIL RESISTANCE	4.6 Ω
NOMINAL POWER (IEC 268-5)	100 W ¹⁾
SHORT TERM MAX. POWER (IEC 268-5)	400 W ²⁾
LONG TERM MAX. POWER (IEC 268-5)	200 W ³⁾
OPERATING POWER	3.2 W
SENSITIVITY (1W, 1m) / (2.83V, 1m)	91/92 dB
FREQUENCY RANGE	2.5-30 kHz
FREE AIR RESONANCE	1000 Hz
VOICE COIL DIAMETER	26 mm
VOICE COIL HEIGHT	1.6 mm
AIR GAP HEIGHT	2 mm
EFFECTIVE DIAPHRAGM AREA	7.1 cm ²
MOVING MASS (incl. air)	0.3 g
MAGNET WEIGHT (8.5 oz)	240 g
FORCE FACTOR, B x l	2.7 Txm
Vas	0.006 ltr
Qms	2.15
Qes	1.19
Qts	0.77

D27TG-05-06



D27TG-05-06

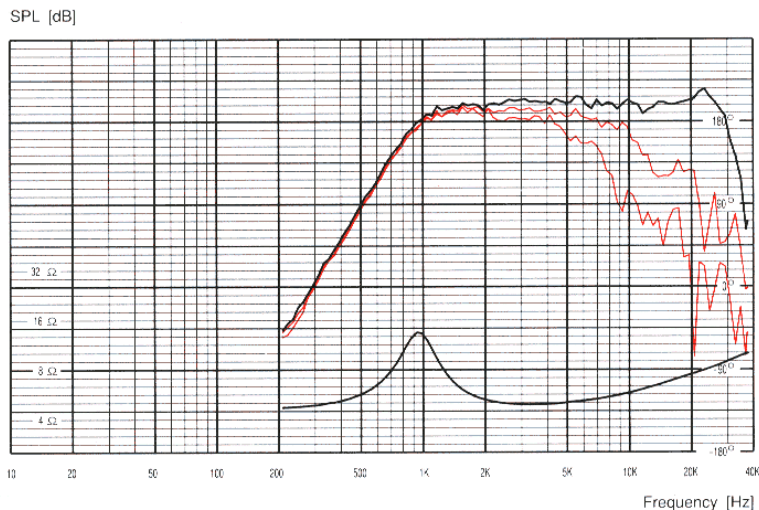
DISPERSION PLOT
0, 30 and 60 deg.

Input: 2.83 V
Mic.: 1 m

Mounted in
infinite baffle.

11.08.93 FBJ

Anechoic room 6x7x8 meters.
Half space free-field above 100 Hz.
Brüel & Kjær 2012 Audio Analyzer.



D27TG-05-06

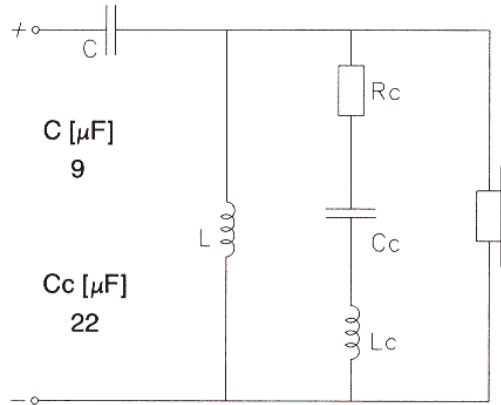
Applications

Recommended cross over:

Nom. power [W]	Fc [Hz]	L [mH]	C [μ F]
100	3500	0.44	9

Parallel compensation:

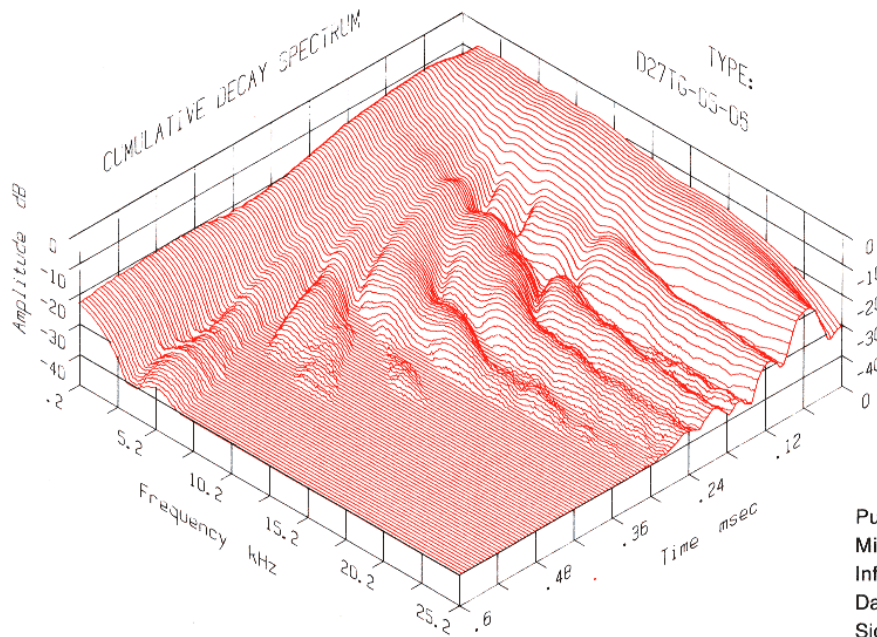
Rc [Ω]	Lc [mH]	Cc [μ F]
6.8	0.9	22



It is recommended to use at least 2nd order (12 dB/oct) cross over for this drive unit. The load provided by the cross over should be as low as possible at the tweeter resonance frequency. To ensure maximum electrical damping at resonance, and consequently minimum excursion, it is also recommended to apply the parallel compensation circuit shown. This is essential for high power input. The circuit shown is the one used for the powerhandling tests.

Note 1-3) Power test conditions: Amb. temp. 21°C \pm 3°C. Note 1) 100 hours continuous.

Note 2) Signal 1 sec., pause 1 min., repeated 60 times. Note 3) Signal 1 min., pause 2 min., repeated 10 times.



Pulse: 10 V/15 μ S
Mic.: 0.15 m
Infinite baffle
Date: 11.08.93
Sign.: FBJ